

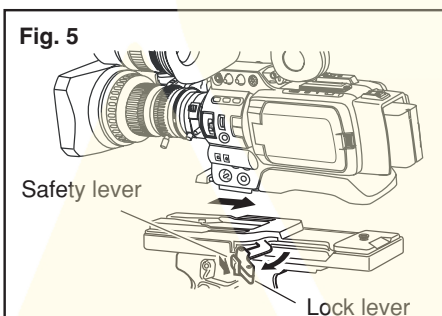
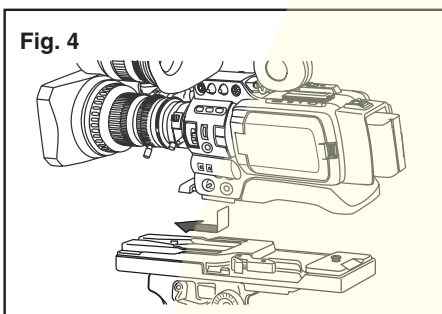
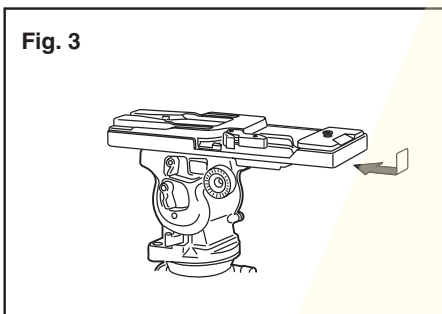
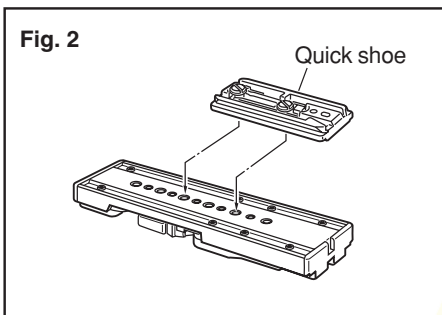
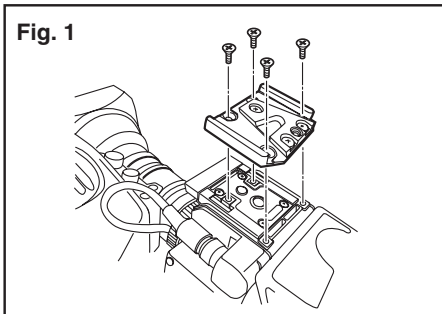
KA-551 Tripod Base

INSTRUCTIONS

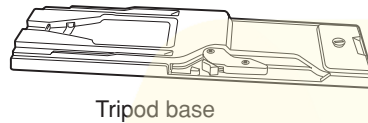
Thank you for purchasing the JVC KA-551 Tripod Base.

To gain maximum benefit from it, please carefully read the following instructions and retain this leaflet for future reference.

The KA-551 is basically designed to fit the JVC GY-HD100/GY-HD101 Camera Recorder.



This unit configuration



Tripod base



V-Mount adapter



4 Screws
(for V-Mount adapter)

CAUTION

When unmounting the camera recorder from the tripod, be careful not to get your fingers caught in the safety lever or lock lever.

■ Preparation

- ① Attach the provided V-mount adapter to the camera recorder and fix it with 4 screws. (Fig. 1)
- ② Attach the tripod base to the quick shoe of the tripod. (Fig. 2)
- ③ Attach the quick shoe to the tripod. (Fig. 3)

■ Mounting the Camera recorder on the Tripod (Fig. 4)

Slide the camera recorder along the guide rails until it clicks and becomes locked. Do not take your hands off the camera recorder until the camera recorder is tightly fixed on the tripod.

■ Unmounting the Camera recorder from the Tripod (Fig. 5)

Hold the handle of the camera recorder with one hand and pull the lock lever outwards while pushing the red safety lever with another hand.

Memo

When the locking pin of the tripod base does not retract, pull the lock lever outwards while pushing the red safety lever to return the locking pin to the right position.

■ Specifications

Tripod base dimension : 280 (W) x 28 (H) x 80 (D) mm

Tripod base weight : 700 g

Dimension and weight are approximate.

Design and specification are subject to change without notice.

JVC